



Use these directions to assemble your bed or watch the video at http://thesafetysleeper.com/custom_solutions/assembly.html

Included: 6 Metal Frame BASE pieces, 8 Metal Frame TOP pieces with angled support bars, Frame Pads, 1 Fabric Enclosure, 1 coverlet pre-zipped into enclosure, and **air mattress for travel use only**. **NOTE: Other options/accessories may be included based on the custom order selections.** Assemble the frame in the same room it will be used, no tools are required for assembly.

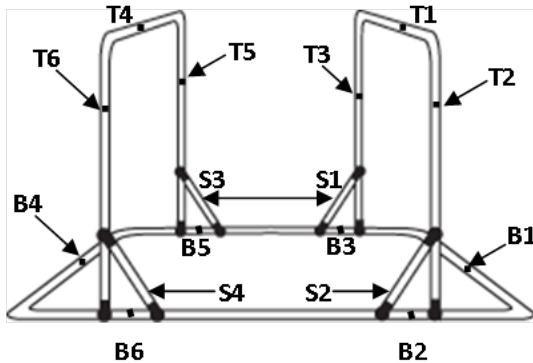
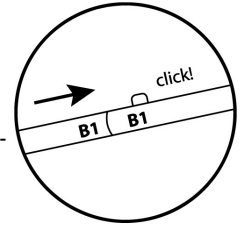
WASHING & HANDLING INSTRUCTIONS—WASH BEFORE FIRST USE.

Fabric & Mesh: 100% Polyester Material Flame Resistant. Bias Binding 50% Cotton/50% Polyester. Webbing: 100% Polypropylene. Machine wash on delicate cycle, front loading machine only. All ZIPPERS must be CLOSED before washing. Tumble dry low heat only or line dry. DO NOT USE FABRIC SOFTENER OR BLEACH. Do not iron. Do not dry clean.

DISCLAIMER: For proper use, care & assembly, all instructions must be specifically adhered to. Wash before first use of this product. Bed is not intended for use as a toy, play equipment or as a disciplinary device. Recommended for ages 3 and up.

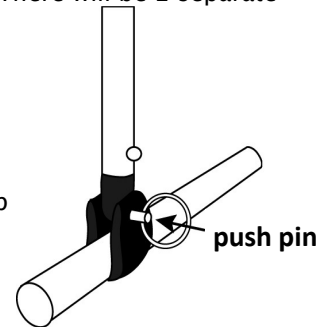
Build the Base frame:

1. Lay all six pieces labeled B1, B2, B3, B4, B5, B6 on the ground with labels facing up.
2. Connect like parts in numerical order by pushing in button & sliding together until button clicks into place. (see diagram on right)
3. After connecting B1 through B4, align the B5 & B6 pipes across from each other and connect to their counterparts at the same time to ensure they snap together properly.



Build the Top frame and connect to the Base:

1. Lay out all eight top frame pieces labeled T1, T2, T3, T4, T5, T6. Four support pieces are connected to the top —labeled S1, S2, S3, S4. Assemble top frame pieces by connecting like parts. There will be 2 separate top frames when complete. (see diagram on left).
2. Line up T1-T3 top piece with the B1-B3 base piece making sure support pieces are facing inward and match the correct jaw slide (S1 to S1, S2 to S2).
3. Line up the T1-T3's eye ends (connection points) into jaw slide; align toggle on push pins (attached to Base), slide through and flip toggles to secure the top pieces to the base. Secure the support pieces the same way.



4. Repeat with T4-T6 top piece & B4-B6 base.
5. To release the push pins, push the head of the pin, align the toggle, & pull out.

Frame Pads:

All orders will come with two pieces of foam for the top bars labeled T1 and T4 (see diagram above). If you ordered frame pads, there will be a total of 10 foam pads in 3 different sizes and 4 fabric covers. Place the longest foam pads across the top bars as directed. Place the next longest size on the side bars so the pads cover push pins that connect to the base (near B2, B3, B5, B6). Place the smaller pads angled side up on the support pieces (S1, S2, S3 & S4). Attach frame pad covers to the frame sides so the triangled bottom covers the padding and push pins.

Attach enclosure to frame:

1. Lay enclosure with roof zippers facing up, inside base of the frame, assuring mattress pocket zipper is at the foot end of your bed.
2. Wrap sides of each zipper around the top horizontal bars of metal frame & zip all the way across to secure.
3. Bed may be placed on top of box spring for added comfort, or remain on the floor.

Insert mattress: Unzip mattress pocket zipper & slide mattress inside. *Mattress will slide under the coverlet. Zip Shut.

Remove/Change Coverlet:

1. Unzip the mattress pocket at the foot end of the enclosure to gain access to the coverlet zipper.
2. Detach Velcro lock and start to unzip coverlet.
3. Open the door of the bed to give yourself more access & continue unzipping the coverlet from around the mattress until coverlet is separated completely. (Do this process in reverse to reattach coverlet.)
4. Coverlet information is on our website: http://thesafetysleeper.com/custom_solutions/video_gallery.html

WARNING

- ALWAYS follow assembly instructions
- Coverlet must be used at **ALL** times to prevent entrapment or suffocation
- Pillows/Blankets are NOT recommended for use with this product
- Use ONLY the recommended size mattress: TWIN: 39" W X 75" L X 10" H

Still have questions?

Call us at 724-96-SLEEP or email—sales@thesafetysleeper.com